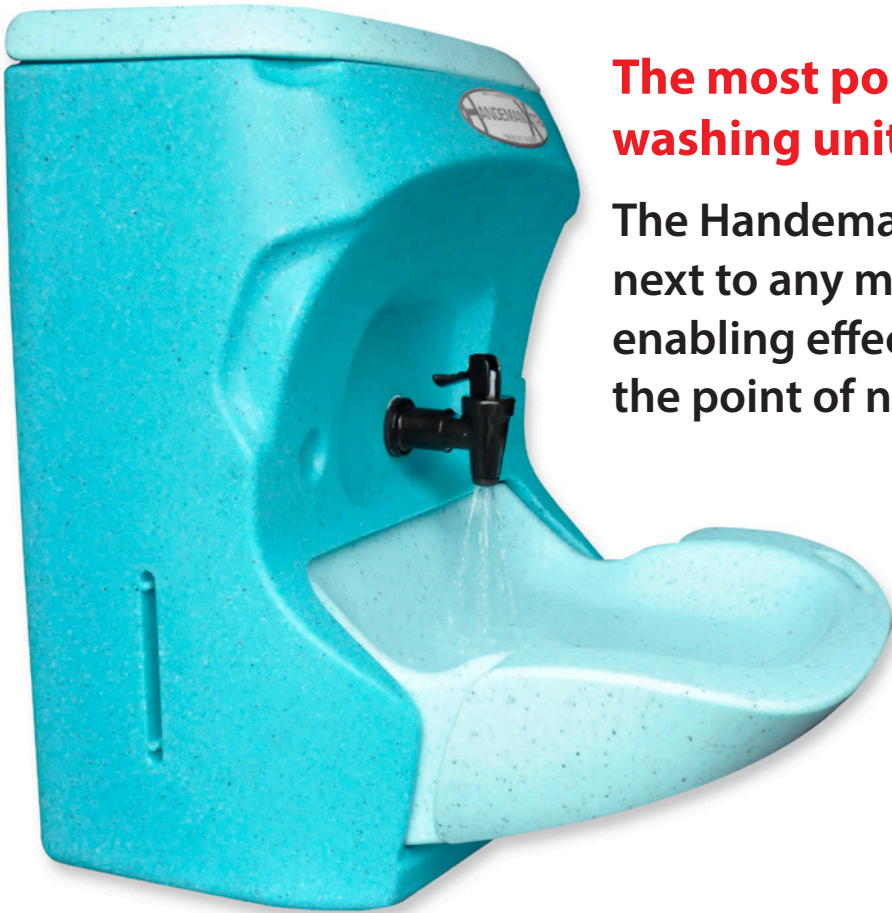


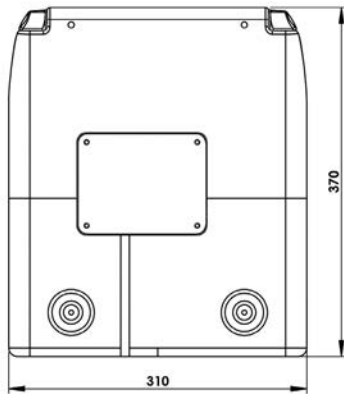
TEAL Handeman Xtra 230v

The most portable hot water hand washing unit ever!

The Handeman Xtra can be deployed next to any mains power outlet enabling effective hand washing at the point of need.



The Handeman Xtra for use with a 240V electricity supply is perfect for any situation where a hot water hand wash is a requirement and there is no convenient water supply available. It can be positioned on any convenient flat surface, or wall mounted with a fixing bracket.



No plumbing is required

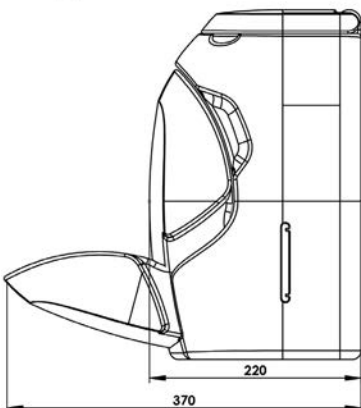
All Handeman models have the unique 'Waste-safe' that retains all the dirty water without the need for separate waste pipe or waste water storage container.

Lightweight yet practical

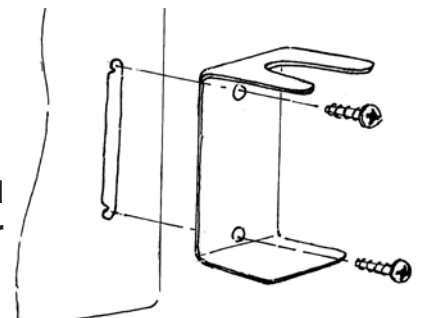
The Handeman Xtra for mains supply provides a minimum of fifteen 12 second hand washes per filling – enough for hard day's work. It provides hot water with fingertip tap operation.

It has a unique jet spray that reaches every part of the hands and washing under running water means there's no need to dip hands into dirty suds.

It is fitted with a carrying strap and four screw fixings for wall mounting.



Fitting the optional soap and towel holder



Operating guide

Teal Handeman Xtra 230v

The Handeman Xtra features:-

- A lift out Waste-Safe bowl, which catches and holds 3 litres of waste water.
- More than 15 hot washes per filling.
- A 3.3 Litre capacity, 3 Litres usable.
- An Ideal water temperature of 43/47°C.
- A 15 minute heating time from 15°C - 43°C
- A 'no water' safety lock out.
- An electronically controlled 425W heater.
- A highly robust fully moulded body.

Operation

The Handeman Xtra is designed to be used freestanding or fixed to a suitable wall.

The Handeman Xtra is fitted with and must be protected by a 3 amp fused plug. We recommend the use of an RCD circuit breaker.

Fill your Handeman Xtra with clean water to the fill line. Connect to the mains and the red 'tell-tale' will light up indicating that power is connected. In 15 minutes or so the water will be up to the correct temperature and your Handeman Xtra will be ready for use. The Waste-Safe should be removed and emptied when water appears in the drain hole.

Please note: should your Handeman Xtra run short of water it will still operate quite safely.



In the event of no water, your Handeman Xtra will switch itself off by means of the safety lock-out and the red 'tell-tale' will flash. To reset, disconnect from the power and allow the heating element to cool.

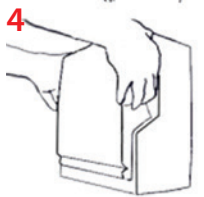
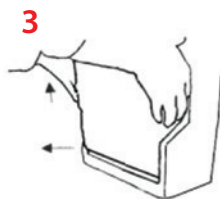
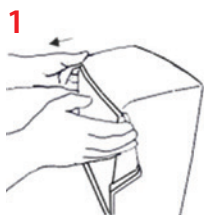
Replenish with water and switch on.

Good housekeeping

- **Daily:** Empty the Waste-Safe into a foul water drain and rinse with clean water.
- **Monthly:** Clean regularly with a suitable sterilising agent and wipe clean..

Removing and emptying the Handeman Xtra bowl

1. Grip both sides of the bowl at the top
2. Pull open to leave a gap of 1 inch



3. Lift gently upwards from the bowl sides
4. Swing the bottom of the bowl out
5. Once the bowl is free, lift it out
6. Tip the water from the slot into a foul water drain
7. To replace the bowl, position it on the lower lever front rail and push in at the base - then snap the top closed
8. The tap nozzle can be removed for cleaning.



TEAL Patents Ltd
Unit 2, Waterloo Avenue
Chelmsley Wood Industrial Estate
Birmingham B37 6QQ
United Kingdom
Tel: 0121 770 0593
Email: enquiries@tealwash.com
www.tealwash.com