



CLEAN HANDS for EVERYONE ANYWHERE



TEALwash®



HOT WATER HAND WASHING ON THE MOVE

The Law demands action on staff health and welfare –

TEALwash® 12 and TEALwash® 24 provide the answers.

TEALwash® is designed for use on commercial vehicles including:-

- Service vans
- Waste lorries
- Emergency response vehicles
- Catering vans

In fact anywhere that hand hygiene on the move is a necessity.



Real Hand Hygiene

The unique 7-jet spray means a thorough handwash under hot, running water, at just the right temperature.

An end to washing and rinsing in basins full of tepid, scummy suds. The 7-jet spray head means many more washes; more than **twenty**, twelve-second hand washes from each filling of the 5 litre water tank.



Designed and made to last

Bowl, tank and lid are double skinned and moulded in high impact resistant polyethylene. Assured toughness and durability with better insulation for the hot water.



MOVE

Safety and control

Electronic control means **NO DRAIN ON POWER**

- Fully automatic operation. No separate switch needed
- Heater only operates when engine is running and battery fully charged
- Fast heating; 2-3 hot washes in 10 minutes
- NO water safety 'Lock-Out'
- 43/46°C ideal water temperature

Options

Loose bowl available as an extra. Also, water carriers, waste containers, soap dispensers and paper towel holders. Loose bowl (silver finish) available as an extra.

Easy to fill and empty

Generous full opening lid for fast filling. Complete with 1m-25mm flexible waste tube.



Easy to install

Well located mounting holes help to position the unit in the right place, outside or inside the vehicle. Connect two 4mm wires directly to the battery using the fuse holder supplied (12 volt, 30 amp fuse and 24 volt, 20 amp fuse) and the red telltale light shows that **YOU'RE READY TO ROLL.**



TEALwash® 12 and TEALwash® 24 are E-marked in compliance with the European EMC Automotive Directive 95/54/EC.



The new TEALwash® sets new standards for staff health and hygiene and with high durability and 'fit and forget' features.

TEALwash® is a registered design.

for more information:-
www.tealwash.com

TEALwash® 110 and TEALwash® 230

for Laboratories, toilets, factories and workshops



Wall mounted versions for operation on 230 mains voltage and for generator use at 110 volts.

Built to comply with all current electrical and EMC regulations. TEALwash® 230 has a 1.8m lead and a 13 amp moulded plug fitted with a 5 amp fuse.



TEALwash® 110 is fitted with a 1.8m lead and a yellow 3 pin 110 volt plug as an option.

TEALwash® 110 and 230 require NO fixed drainage or cold water service connections

MAX CAPACITY

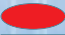



5 litres of water

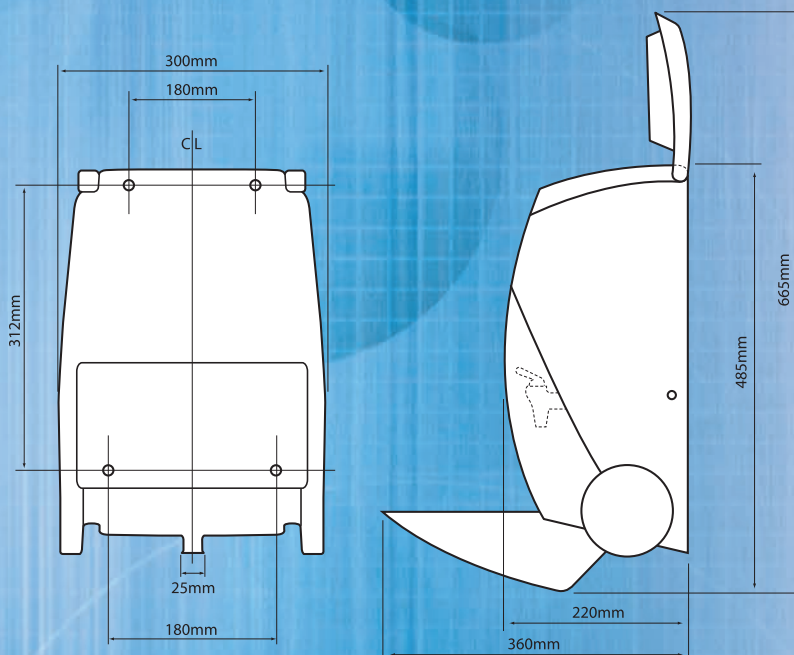
WEIGHT

Empty 4.7 kilos

Full 9.7 kilos

ELECTRICAL SPECIFICATION

	12v	300 watt	25 amp max
	24v	300 watt	15 amp max
	110v	500 watt	6 amp max
	230v	500 watt	3 amp max



The manufacturer reserves the right to subject the product to change without notice.

DEALER STAMP



TEAL PATENTS LTD, Unit 2 Waterloo Avenue, Chelmsley Wood Industrial Estate, Chelmsley Wood, Birmingham B37 6QQ, England.

Tel: +44 (0) 121 770 0593 Fax: +44 (0) 121 770 0385

email: enquiries@tealwash.com

www.tealwash.com